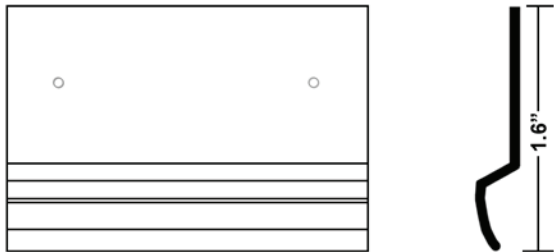


**Standard Detail:**



High impact poly vinyl base cap color matched to Eco-Grip Floor.

**Premium Upgrade Detail:**

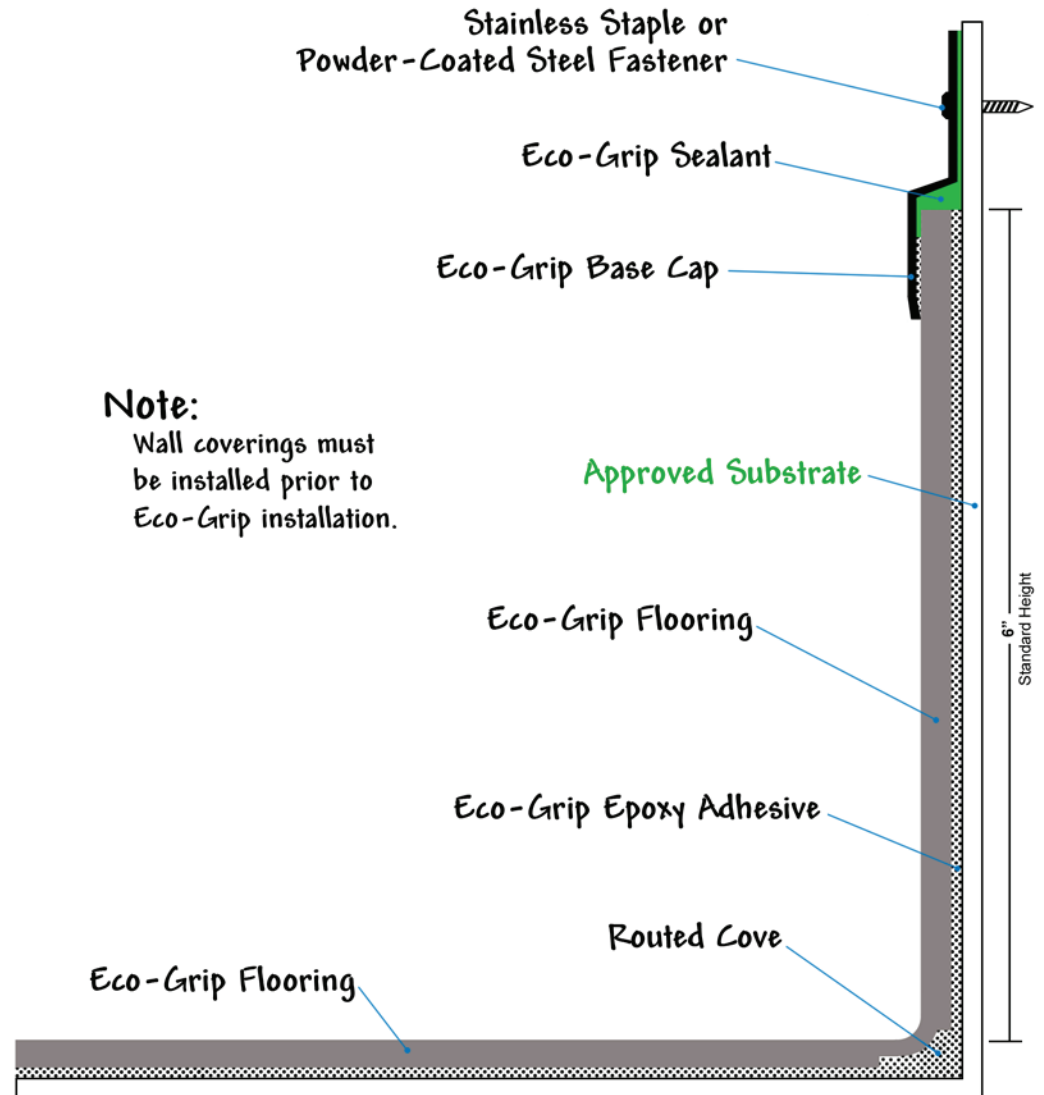


(Pre-drilled Holes Every 6")

Aluminum or Stainless Steel base cap.

**Note:**

Wall coverings must be installed prior to Eco-Grip installation.



All materials provided by third party are shown in **green type**.

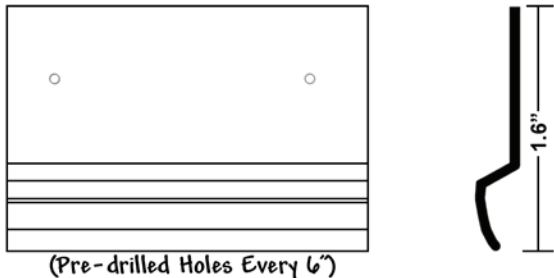
BASE CAP DETAIL A ROUTED COVE DETAIL			
Allied Industries International, Inc.			
DATE	REVISION	BY	DATE: 5-30-14
5-30-14	ALL NEW	MC	DRAWN BY: MC
12-17-16	REVISION 1	MC	SCALE: NONE
			FS-001A

**Standard Detail:**



High impact poly vinyl base cap color matched to Eco-Grip Floor.

**Premium Upgrade Detail:**

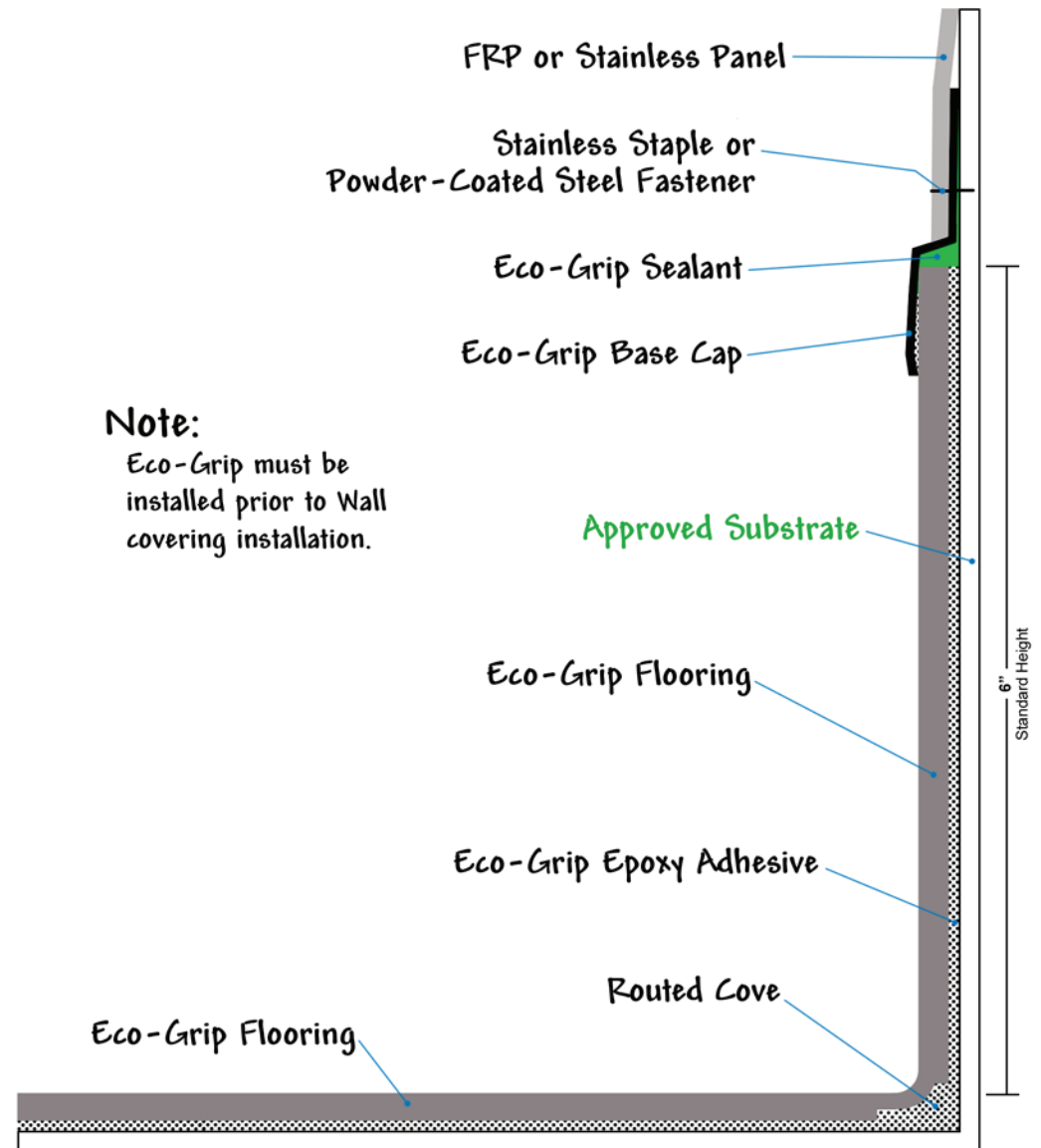


Aluminum or Stainless Steel base cap.  
(Pre-drilled Holes Every 6")

All materials provided by third party are shown in **green type**.

**Note:**

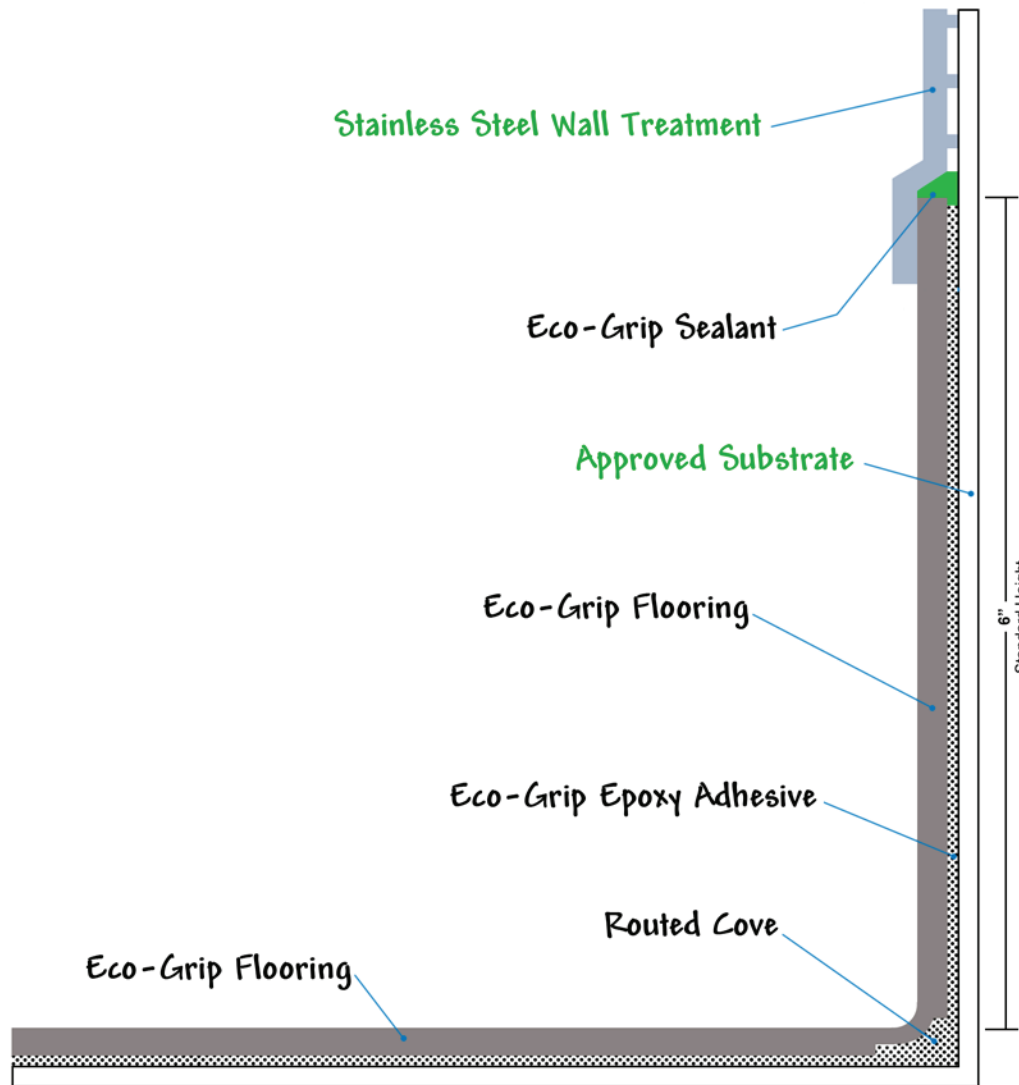
Eco-Grip must be installed prior to Wall covering installation.



BASE CAP DETAIL B ROUTED COVE DETAIL			
Allied Industries International, Inc.			
DATE	REVISION	BY	DATE: 5-30-14
5-30-14	ALL NEW	MC	DRAWN BY: MC
12-17-16	REVISION 1	MC	SCALE: NONE
			FS-001B



Allied Industries™  
International, Inc



All materials provided by third party are shown in green type.

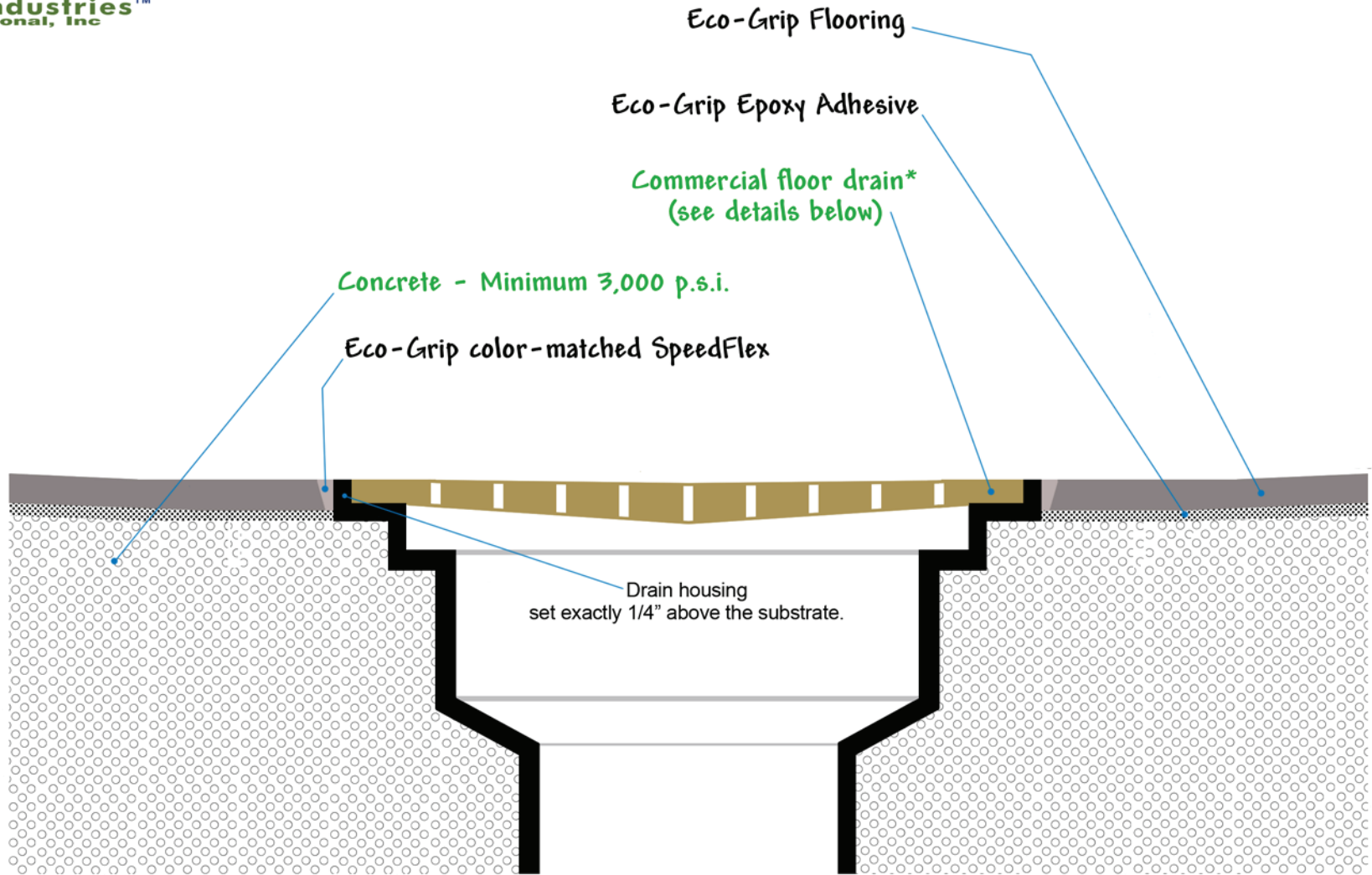


1-800-767-5754

**STAINLESS STEEL TERMINATION  
BASE DETAIL**

Allied Industries International, Inc.

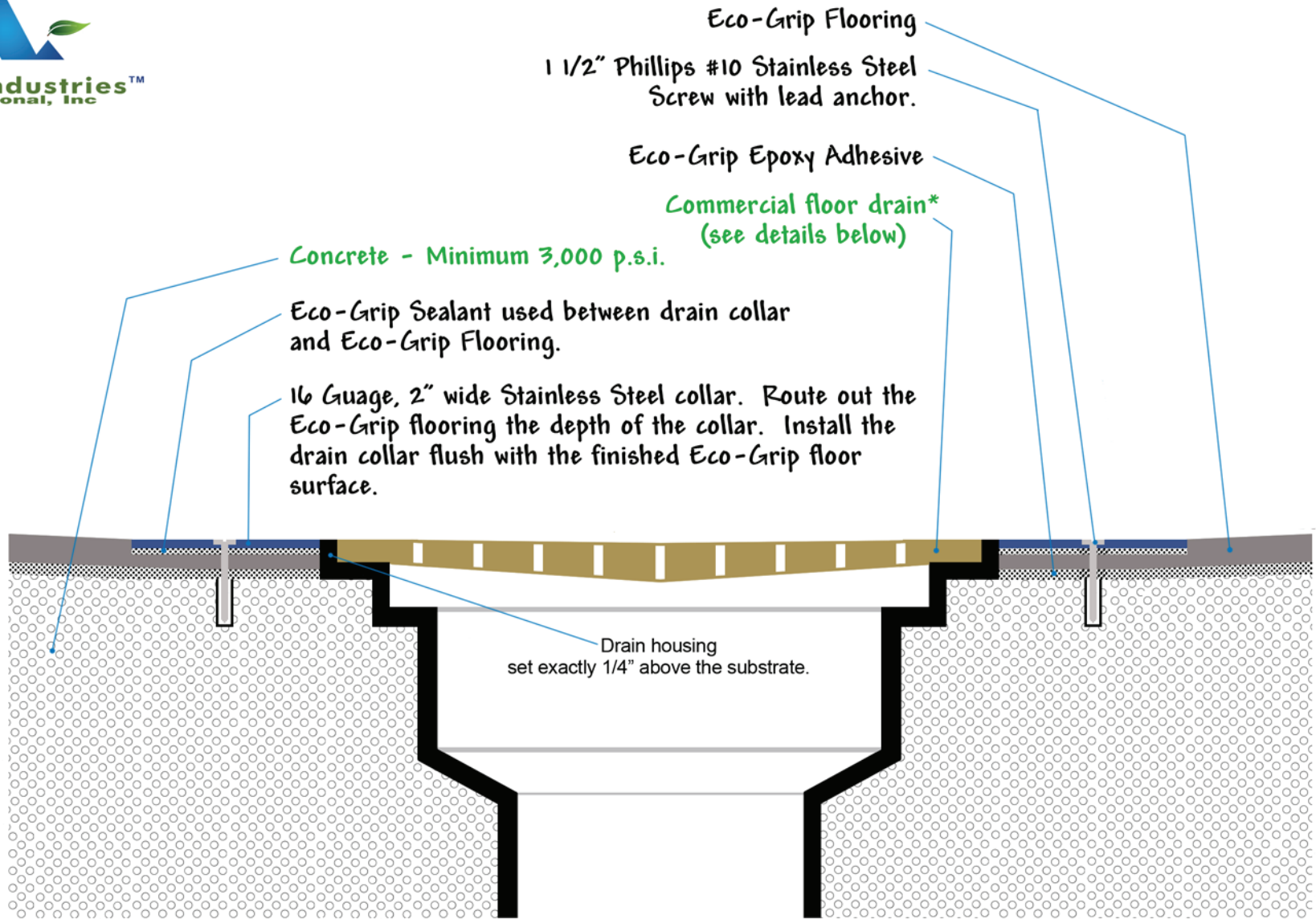
DATE	REVISION	BY	DATE: 5-30-14
5-30-14	ALL NEW	MC	DRAWN BY: MC
12-17-16	REVISION 1	MC	SCALE: NONE
			FS-003



\*Commercial floor drain with a strainer lid which is not mechanically fastened to the drain housing or with a strainer lid that is greater than 1/8" thick.

All materials provided by third party are shown in green type.

SPEEDFLEX COLLAR STANDARD FLOOR DRAIN DETAIL			
Allied Industries International, Inc.			
DATE	REVISION	BY	DATE: 5-30-14
5-30-14	ALL NEW	MC	DRAWN BY: MC
9-20-14	REVISION 1	MC	SCALE: NONE
12-17-16	REVISION 2	MC	
			FS-004A



Eco-Grip Flooring  
1 1/2" Phillips #10 Stainless Steel  
Screw with lead anchor.  
Eco-Grip Epoxy Adhesive  
Commercial floor drain\*  
(see details below)

Concrete - Minimum 3,000 p.s.i.

Eco-Grip Sealant used between drain collar  
and Eco-Grip Flooring.

16 Gauge, 2" wide Stainless Steel collar. Route out the  
Eco-Grip flooring the depth of the collar. Install the  
drain collar flush with the finished Eco-Grip floor  
surface.

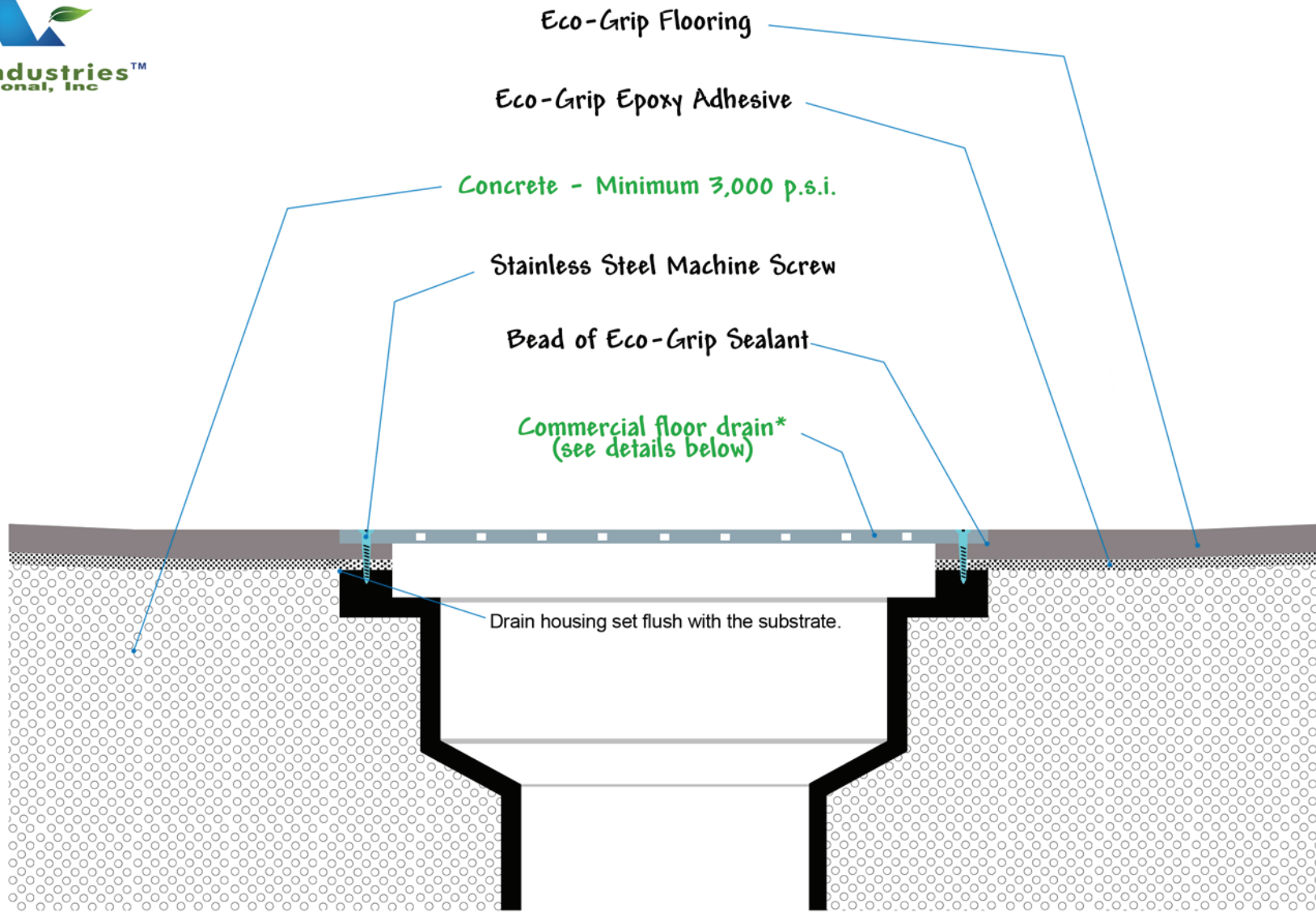
Drain housing  
set exactly 1/4" above the substrate.

\*Commercial floor drain with a strainer lid which is not mechanically fastened to the drain housing or with a strainer lid that is greater than 1/8" thick.

All materials provided by third party are shown in green type.

STAINLESS COLLAR PREMIUM UPGRADE			
FLOOR DRAIN DETAIL			
Allied Industries International, Inc.			
DATE	REVISION	BY	DATE: 5-30-14
5-30-14	ALL NEW	MC	DRAWN BY: MC
9-20-14	REVISION 1	MC	SCALE: NONE
12-17-16	REVISION 2	MC	
			FS-004B





Eco-Grip Flooring

Eco-Grip Epoxy Adhesive

Concrete - Minimum 3,000 p.s.i.

Stainless Steel Machine Screw

Bead of Eco-Grip Sealant

Commercial floor drain\*  
(see details below)

Drain housing set flush with the substrate.

\*Commercial floor drain with strainer lid which is less than or equal to 1/8" thick and is mechanically fastened to the drain housing.

All materials provided by third party are shown in green type.

**STANDARD FLOOR DRAIN DETAIL**

Allied Industries International, Inc.			
DATE	REVISION	BY	DATE: 5-30-14
5-30-14	ALL NEW	MC	DRAWN BY: MC
9-20-14	REVISION 1	MC	SCALE: NONE
12-17-16	REVISION 2	MC	
			FS-005



**Allied Industries™**  
International, Inc



Two Eco-Grip Flooring sheets  
butt together



Two Eco-Grip Flooring sheets with  
routed V-Groove 4.5mm wide at top



SpeedFlex color matched liquid weld



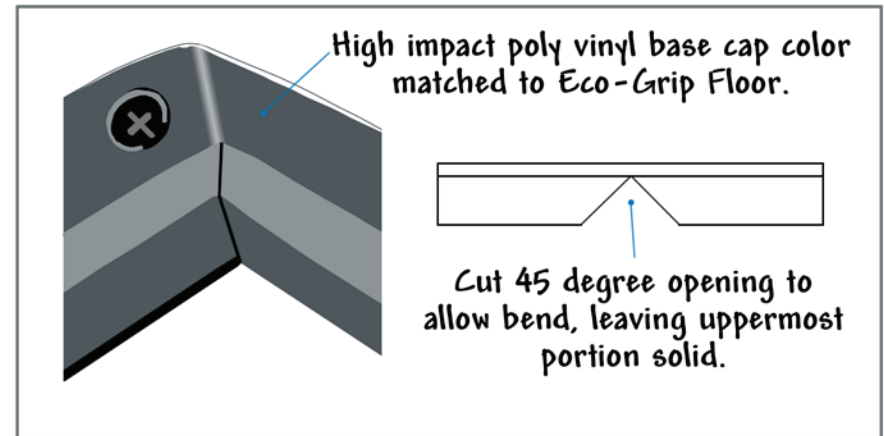
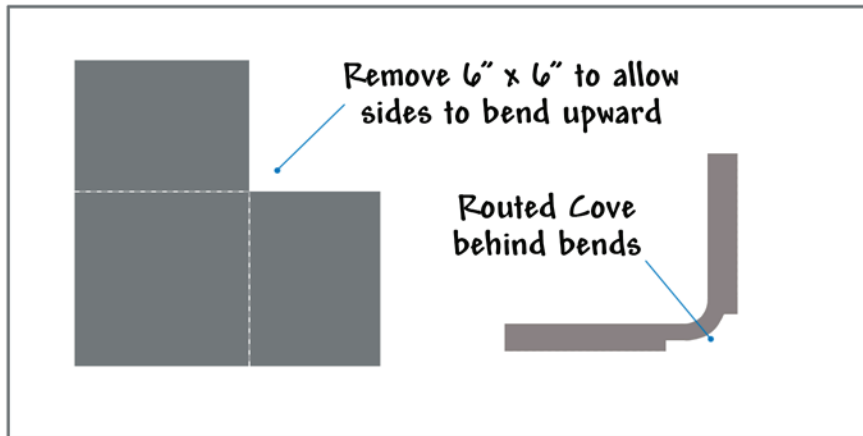
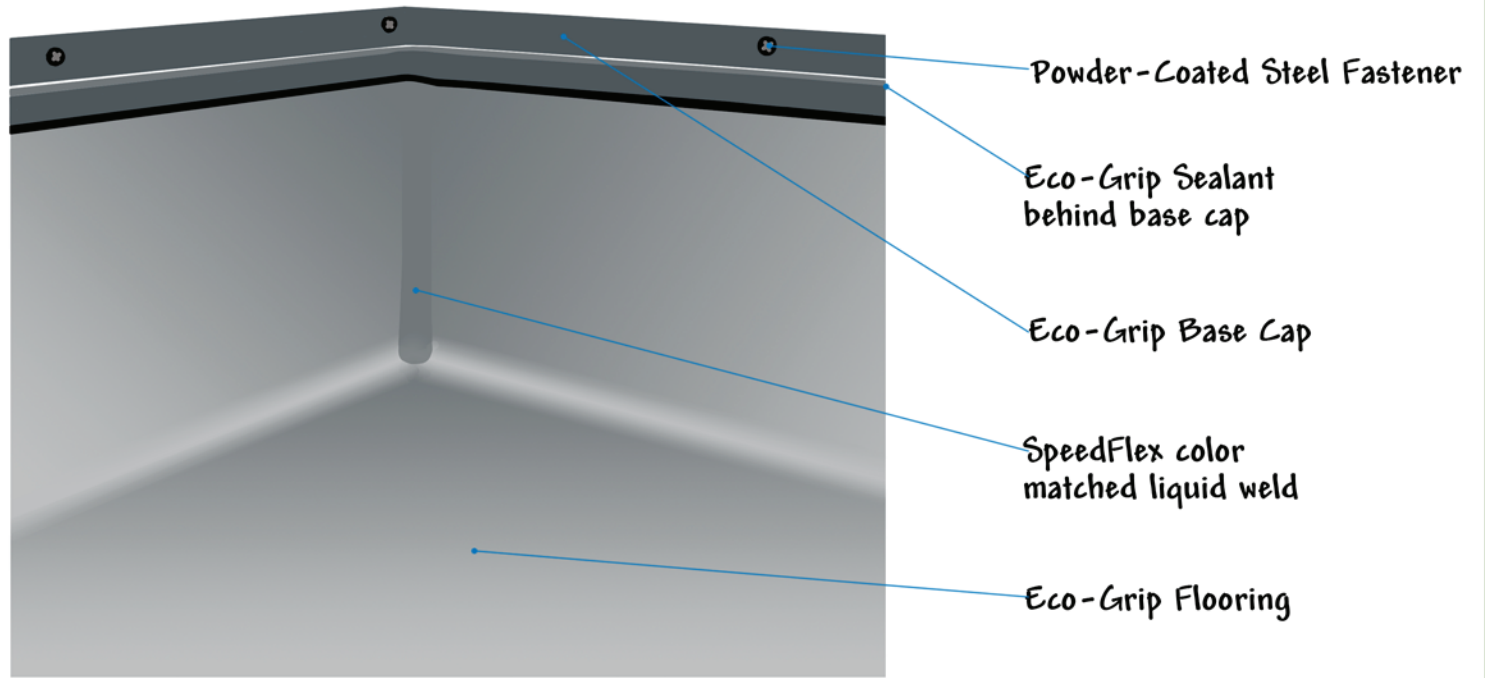
Eco-Grip Sheet with completed  
welded seam



**SPEEDFLEX LIQUID WELD  
SEAM DETAIL**

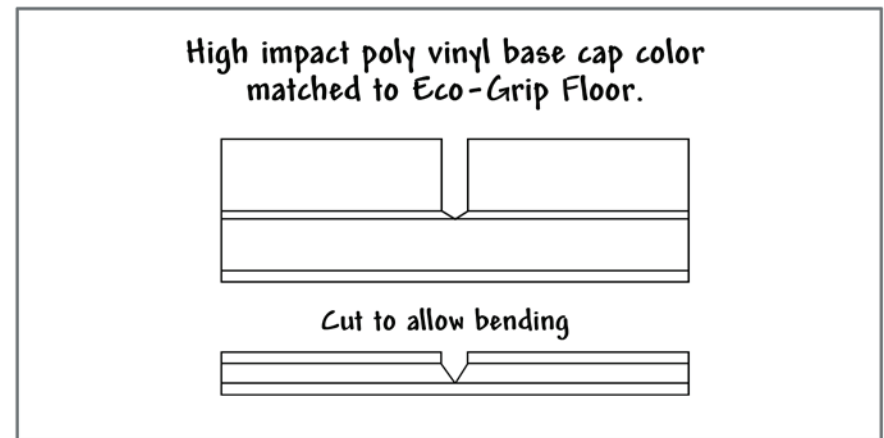
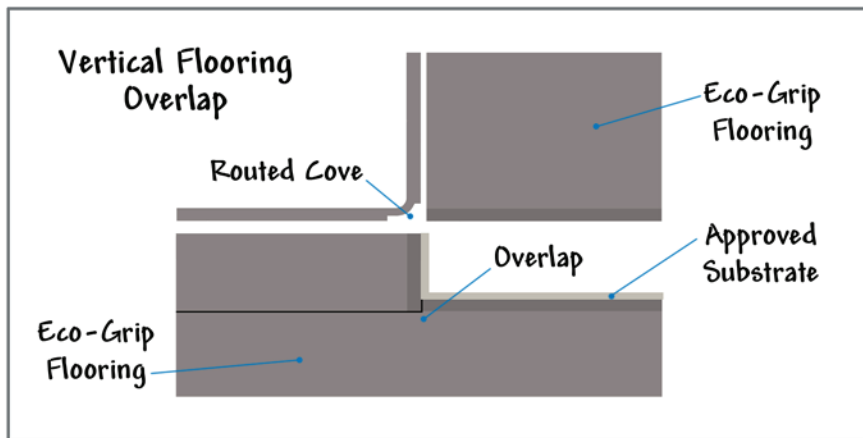
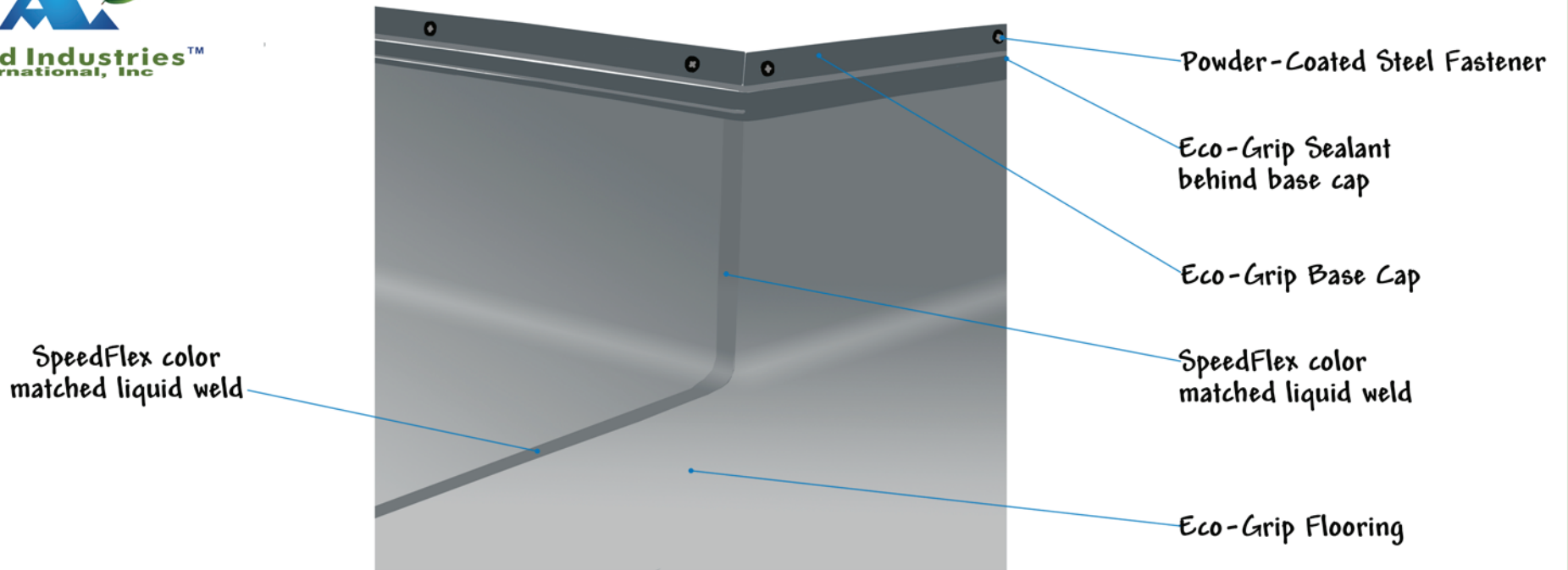
Allied Industries International, Inc.

DATE	REVISION	BY	DATE: 8-16-16
8-16-16	ALL NEW	MC	DRAWN BY: MC
12-17-16	REVISION 1	MC	SCALE: NONE
			FS-006



INSIDE CORNER DETAIL			
Allied Industries International, Inc.			
DATE	REVISION	BY	DATE: 5-30-14
5-30-14	ALL NEW	MC	DRAWN BY: MC
12-17-16	REVISION 1	MC	SCALE: NONE
			FS-007

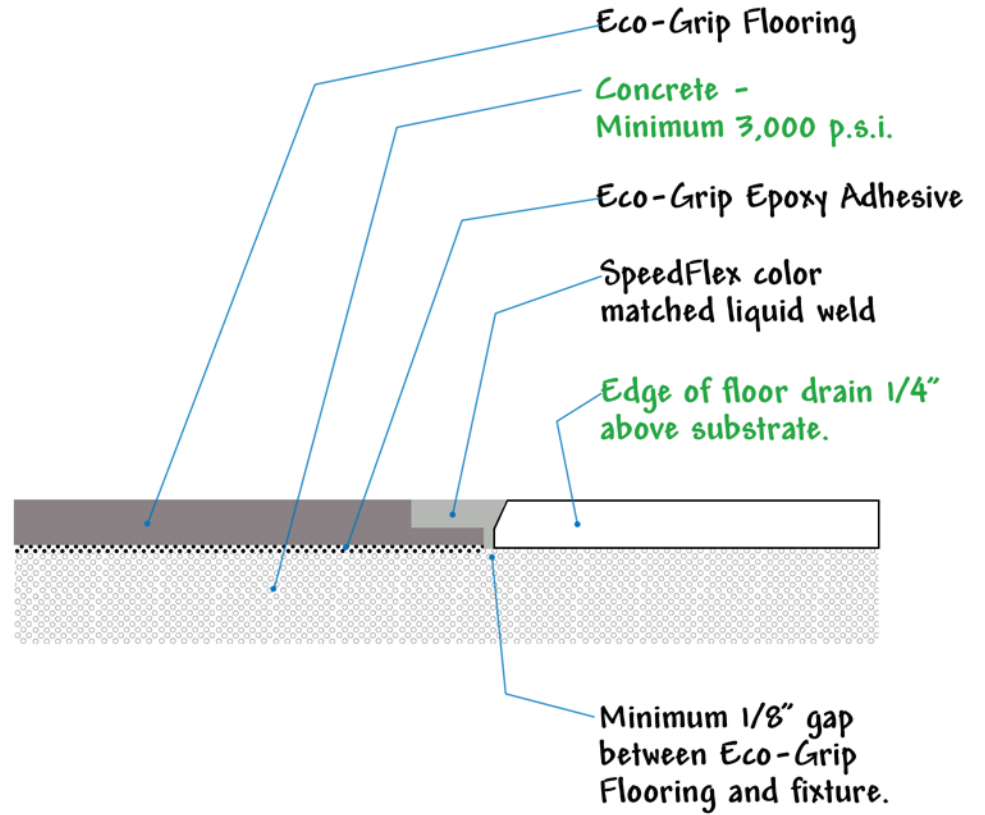
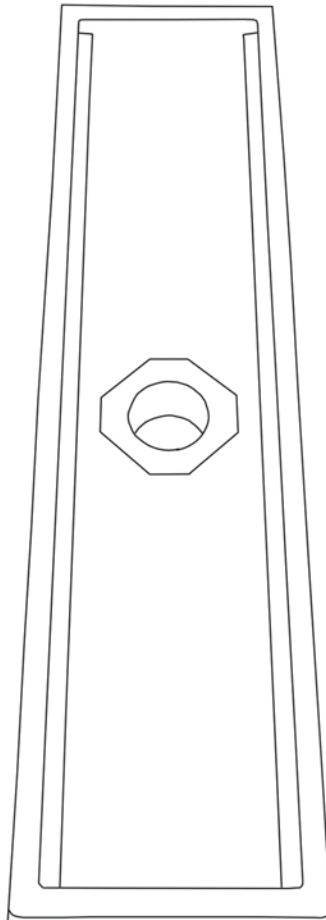




OUTSIDE CORNER DETAIL			
Allied Industries International, Inc.			
DATE	REVISION	BY	DATE: 5-30-14
5-30-14	ALL NEW	MC	DRAWN BY: MC
12-17-16	REVISION 1	MC	SCALE: NONE
			FS-008



**Allied Industries™**  
International, Inc



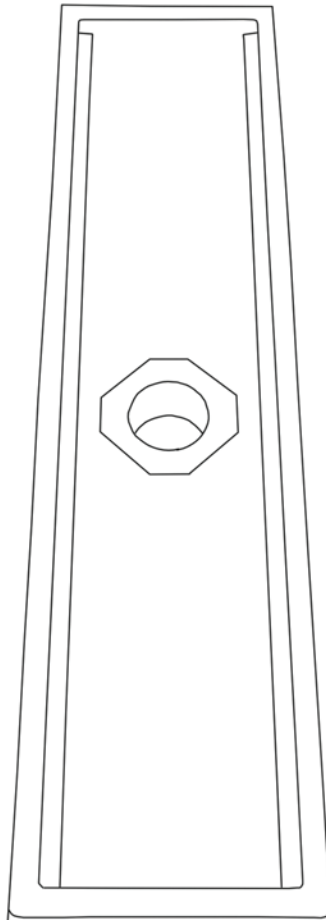
All materials provided by third party are shown in **green type**.



SPEEDFLEX FLANGE TRENCH DRAIN DETAIL			
Allied Industries International, Inc.			
DATE	REVISION	BY	DATE: 5-30-14
5-30-14	ALL NEW	MC	DRAWN BY: MC
12/17/16	REVISION 1	MC	SCALE: NONE
			FS-009



Allied Industries™  
International, Inc



Eco-Grip Epoxy  
Adhesive

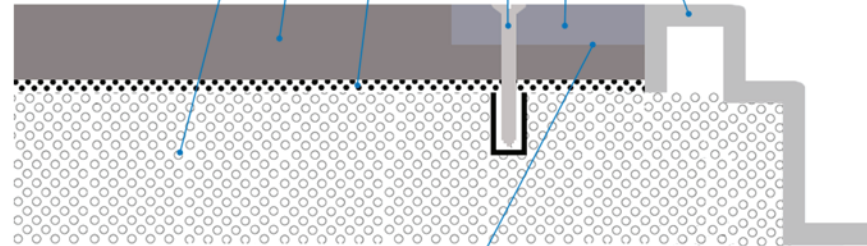
Eco-Grip Flooring

Concrete -  
Minimum 3,000 p.s.i.

1 1/2" Phillips #10  
Stainless Steel Screw  
with lead anchor.

16 Gauge, Stainless  
Steel flange.

Edge Commercial  
Trench floor drain 1/4"  
above the substrate



Eco-Grip Sealant used between  
flange and Eco-Grip Flooring.

Route out the Eco-Grip flooring the depth of the  
flange. Install the flange flush with the finished  
Eco-Grip floor surface.

All materials provided by third  
party are shown in green type.

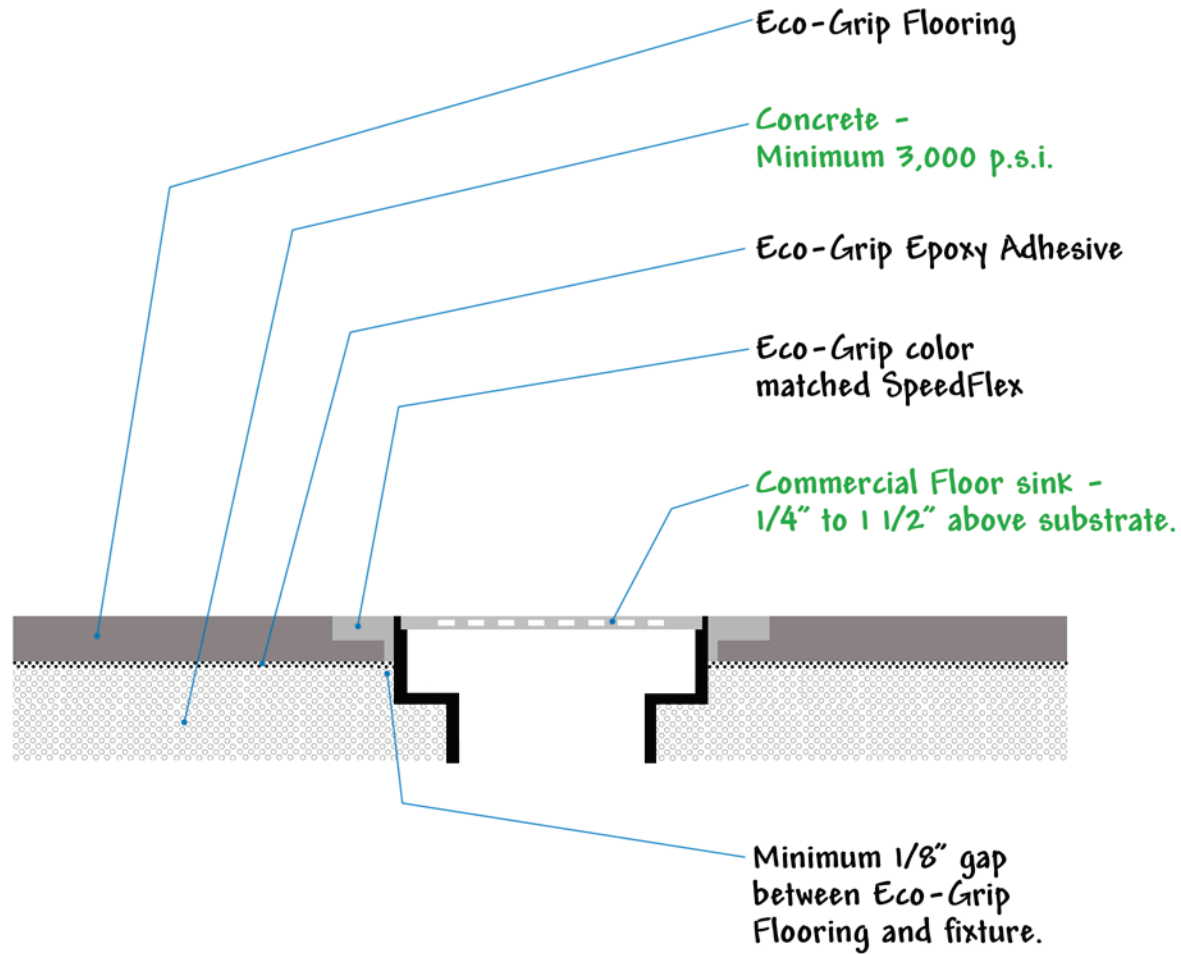


**STAINLESS FLANGE TRENCH DRAIN DETAIL**

Allied Industries International, Inc.			
DATE	REVISION	BY	DATE: 5-30-14
5-30-14	ALL NEW	MC	DRAWN BY: MC
12-17-16	REVISION 1	MC	SCALE: NONE
			FS-010



**Allied Industries™**  
International, Inc



All materials provided by third party are shown in green type.

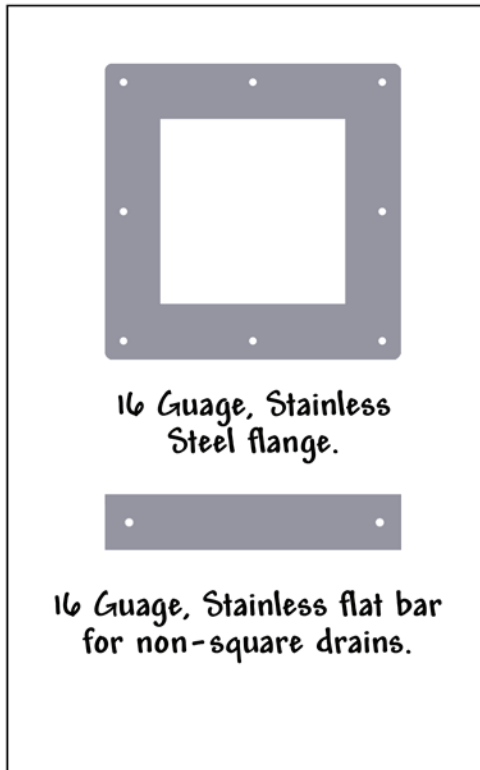


1-800-767-5754

STANDARD SPEEDFLEX FLANGE FLOOR SINK DETAIL			
Allied Industries International, Inc.			
DATE	REVISION	BY	DATE: 5-30-14
5-30-14	ALL NEW	MC	DRAWN BY: MC
9-20-14	REVISION 1	MC	SCALE: NONE
12-17-16	REVISION 2	MC	
			FS-011



**Allied Industries™**  
International, Inc



16 Guage, Stainless Steel flange.

1 1/2" Phillips #10 Stainless Steel Screw with lead anchor.

Concrete - Minimum 3,000 p.s.i.

Eco-Grip Sealant used between flange and Eco-Grip Flooring.

Commercial floor sink - 1/4" to 1 1/2" above substrate.

Eco-Grip Epoxy Adhesive

Eco-Grip Flooring



Route out the Eco-Grip flooring the depth of the flange. Install the flange flush with the finished Eco-Grip floor surface.

All materials provided by third party are shown in green type.

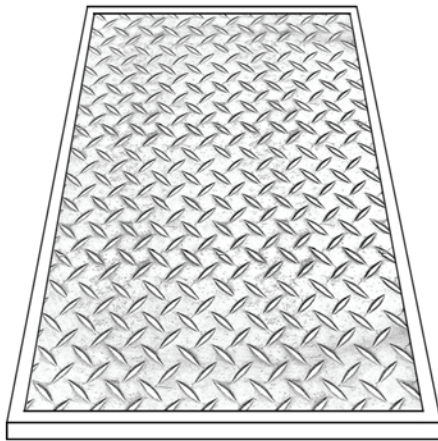


PREMIUM UPGRADE STAINLESS FLANGE FLOOR SINK DETAIL			
Allied Industries International, Inc.			
DATE	REVISION	BY	DATE: 5-30-14
5-30-14	ALL NEW	MC	DRAWN BY: MC
9-20-14	REVISION 1	MC	SCALE: NONE
12-17-16	REVISION 2	MC	
			FS-012

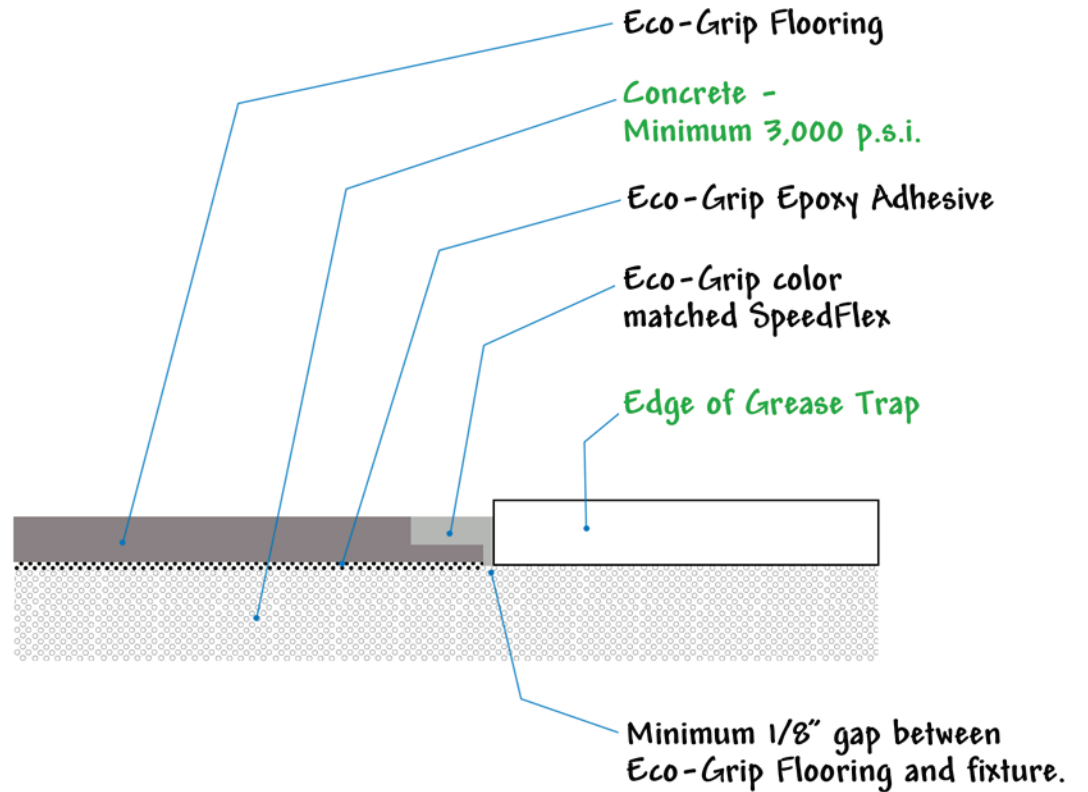




**Allied Industries™**  
International, Inc



Grease Trap



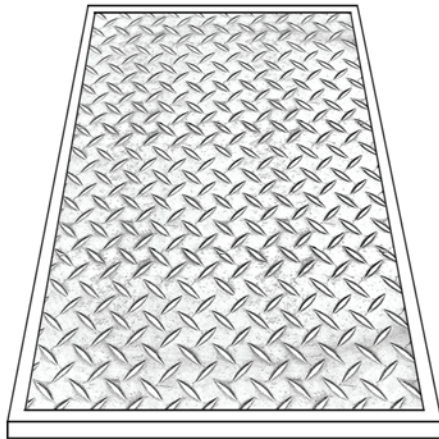
All materials provided by third party are shown in green type.



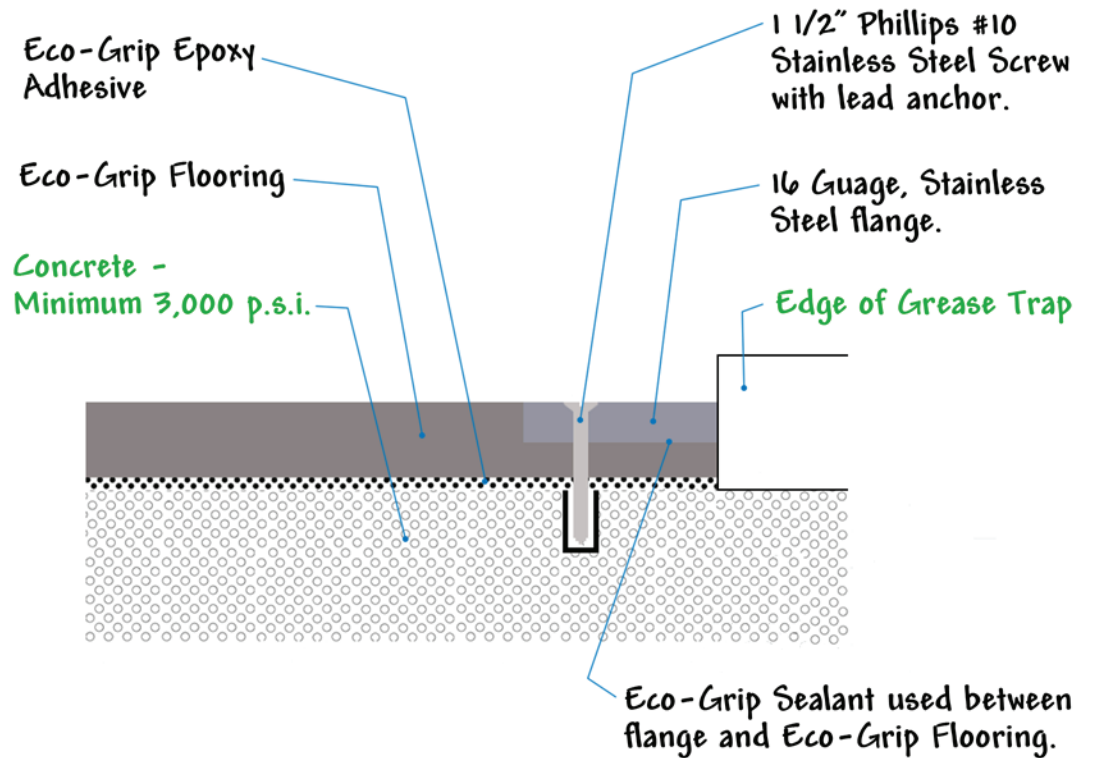
SPEEDFLEX FLANGE GREASE TRAP DETAIL			
Allied Industries International, Inc.			
DATE	REVISION	BY	DATE: 5-30-14
5-30-14	ALL NEW	MC	DRAWN BY: MC
12-17-16	REVISION 1	MC	SCALE: NONE
			FS-013



Allied Industries™  
International, Inc



Grease Trap

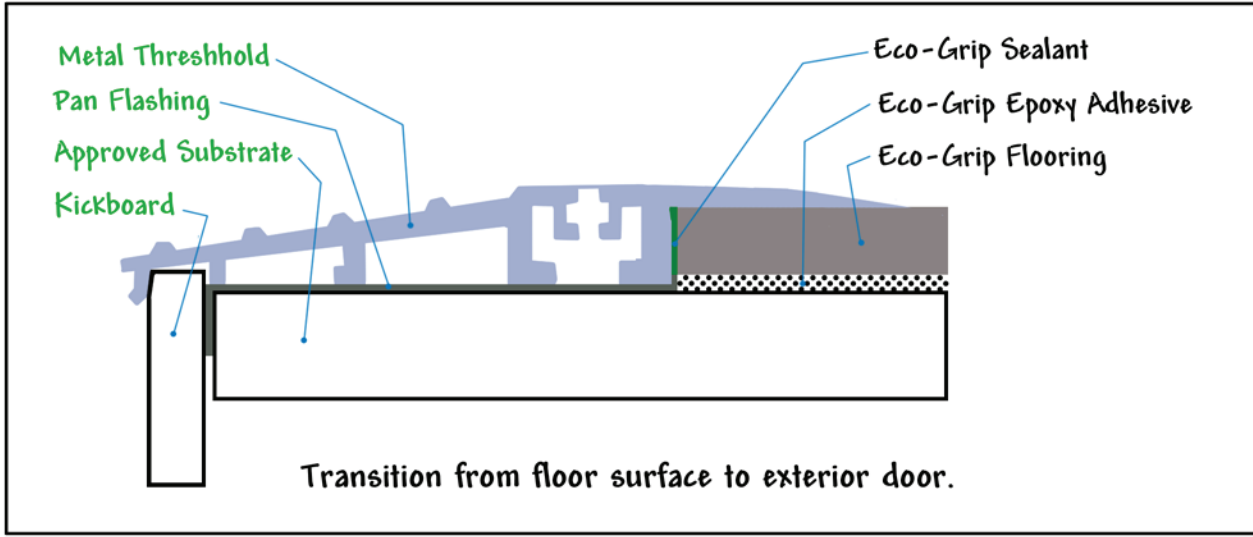
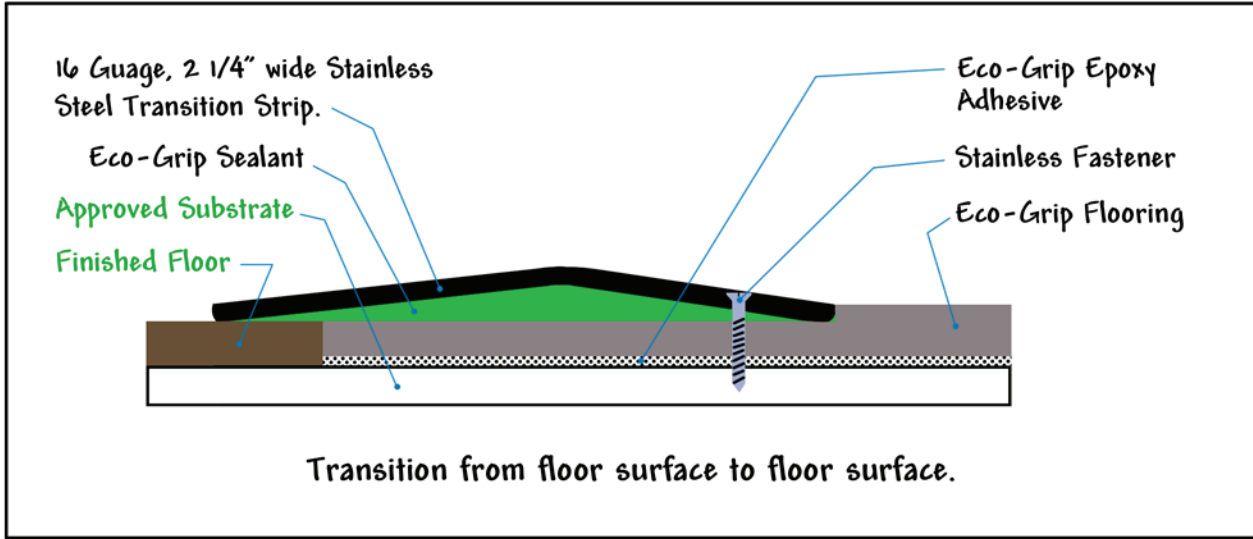


Route out the Eco-Grip flooring the depth of the flange. Install the flange flush with the finished Eco-Grip floor surface.

All materials provided by third party are shown in green type.



STAINLESS FLANGE GREASE TRAP DETAIL			
Allied Industries International, Inc.			
DATE	REVISION	BY	DATE: 5-30-14
5-30-14	ALL NEW	MC	DRAWN BY: MC
12-17-16	REVISION 1	MC	SCALE: NONE
			FS-014



All materials provided by third party are shown in green type.

TERMINATION POINT DETAIL			
Allied Industries International, Inc.			
DATE	REVISION	BY	DATE: 5-30-14
8-20-14	ALL NEW	MC	DRAWN BY: MC
12-17-16	REVISION 1	MC	SCALE: NONE
			FS-015